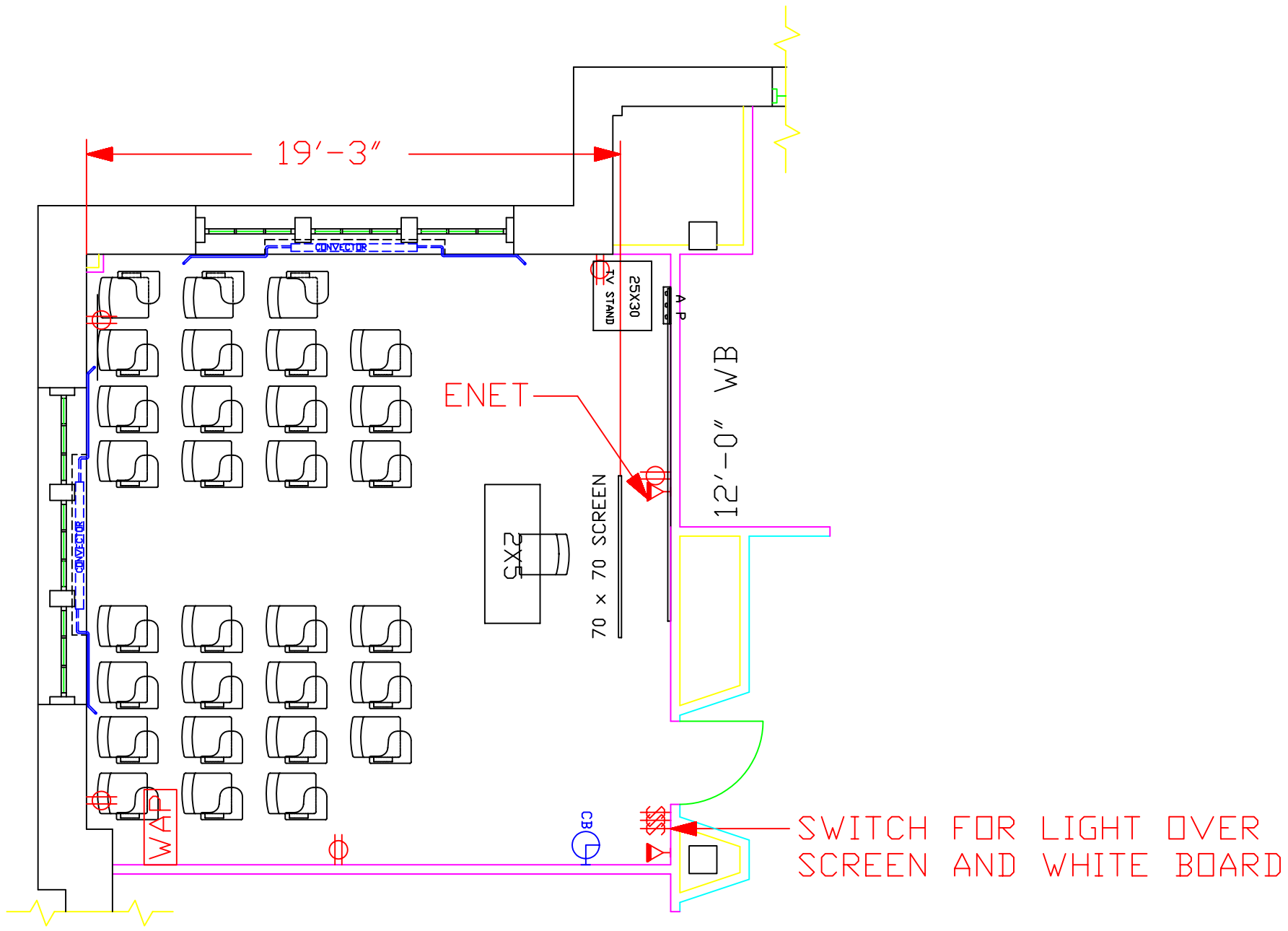


335

462



# THIRD FLOOR PLAN

